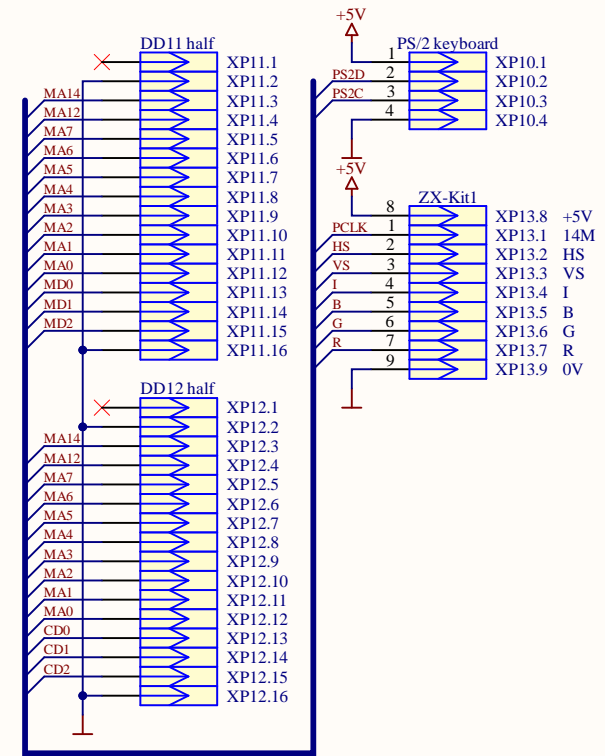
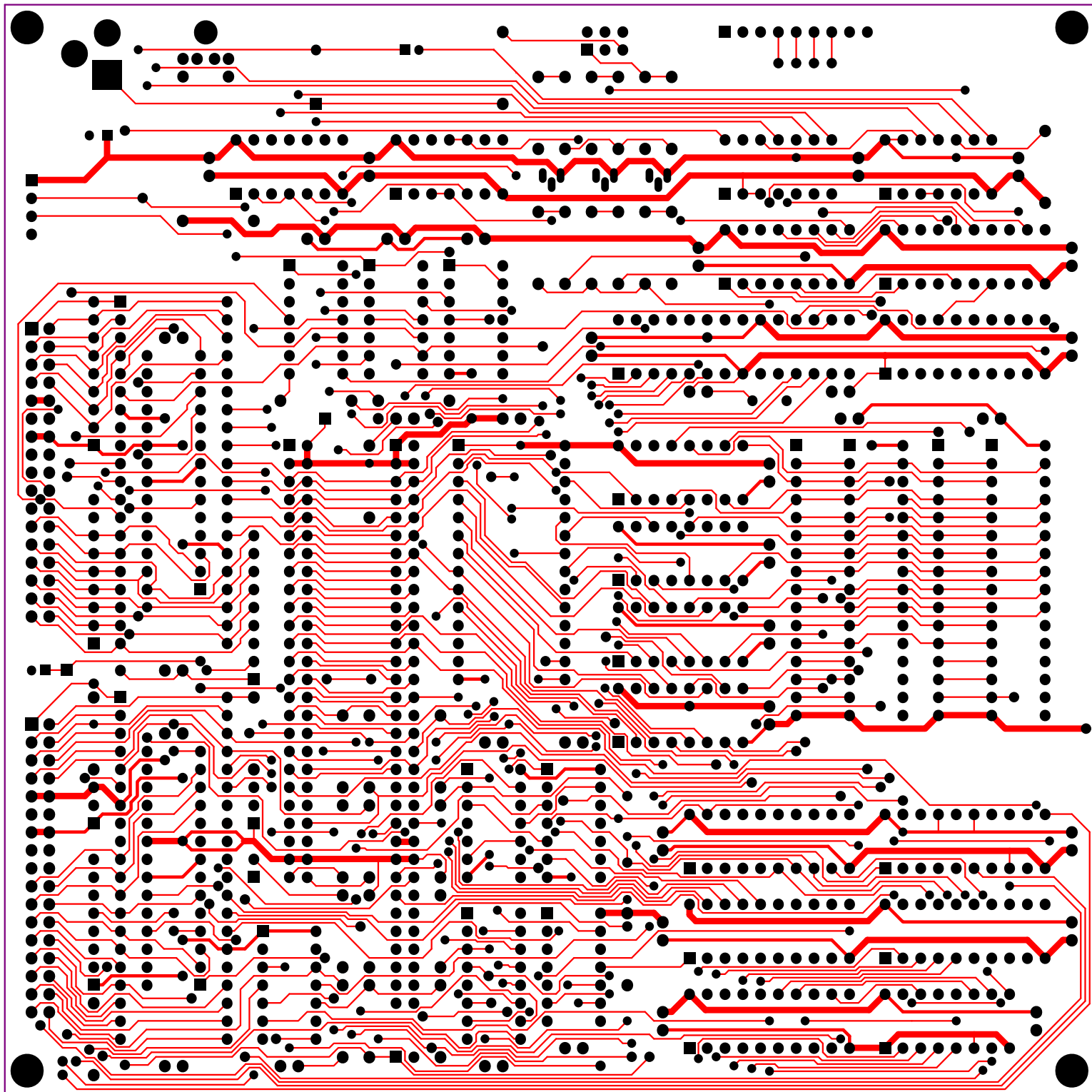
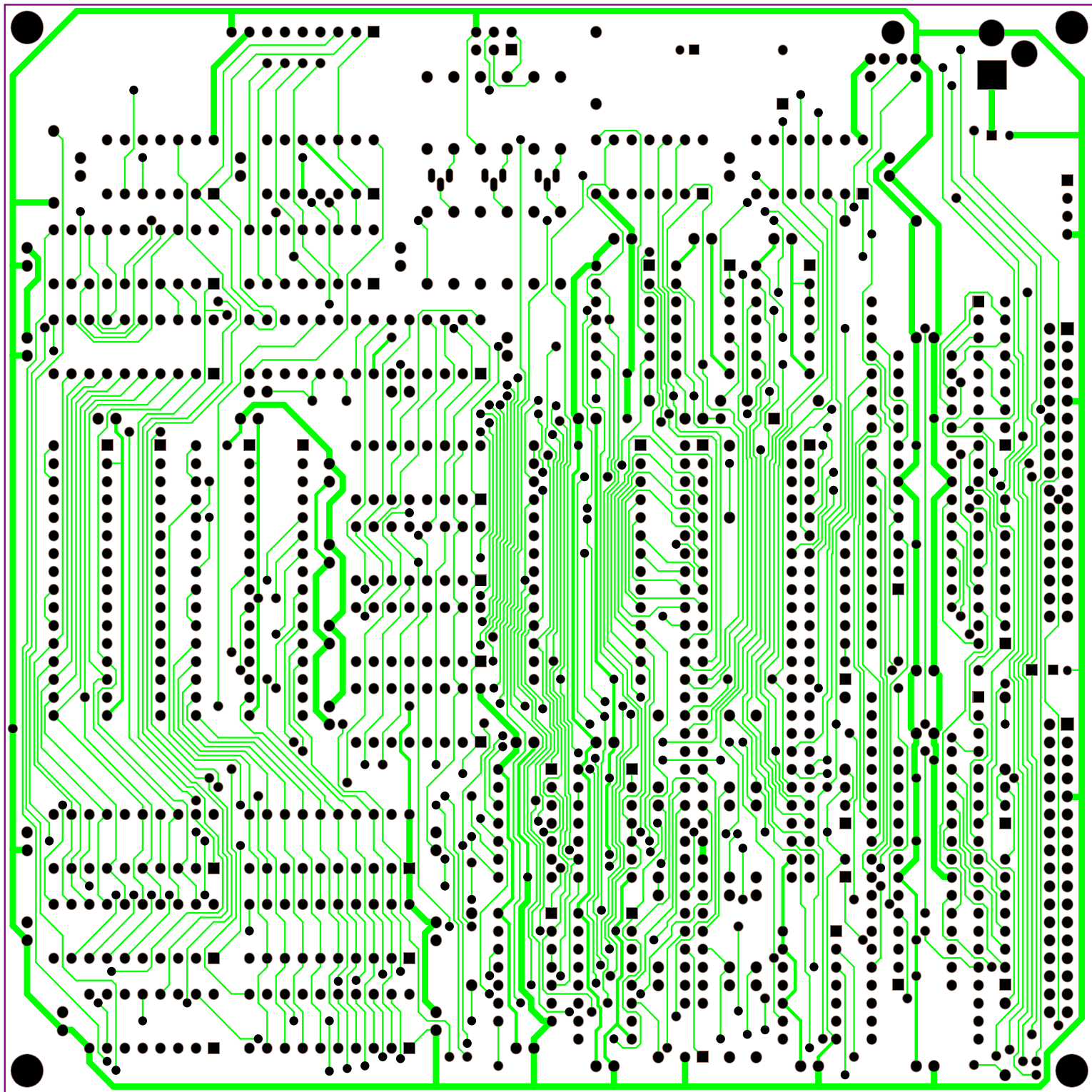


XP6	XP2	XP1	Разрешение
1 и 2	2 и 3	2 и 3	384x256
1 и 2	2 и 3	1 и 2	384x256
-	2 и 3	1 и 2	480x256
1 и 2	1 и 2	2 и 3	384x256
-	1 и 2	2 и 3	512x256

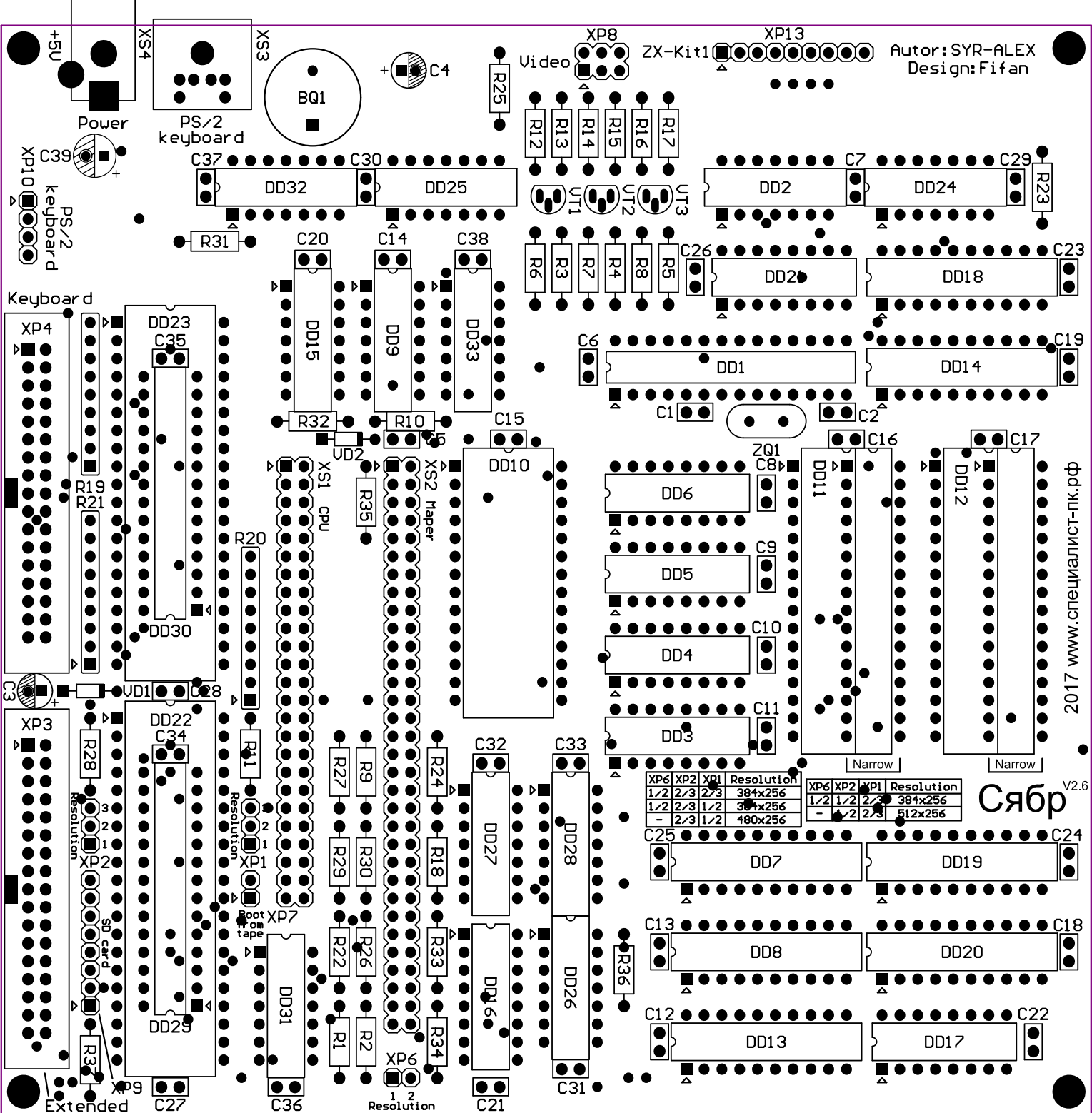


Title Сябр. Основная плата. Дополнения.			Autor: SYR-ALEX		
Size: A4	Number: 2	Revision: V2.6	Drawn by: Fifan		
Date: 09.01.2025	Time: 19:32:02	Sheet 2 of 2			
File: C:\Users\Vitaly\Documents\Altium\AD22\Projects\Сябр2\Дополнения.SchDoc					





Autor: SYR-ALEX
Design: Fifan



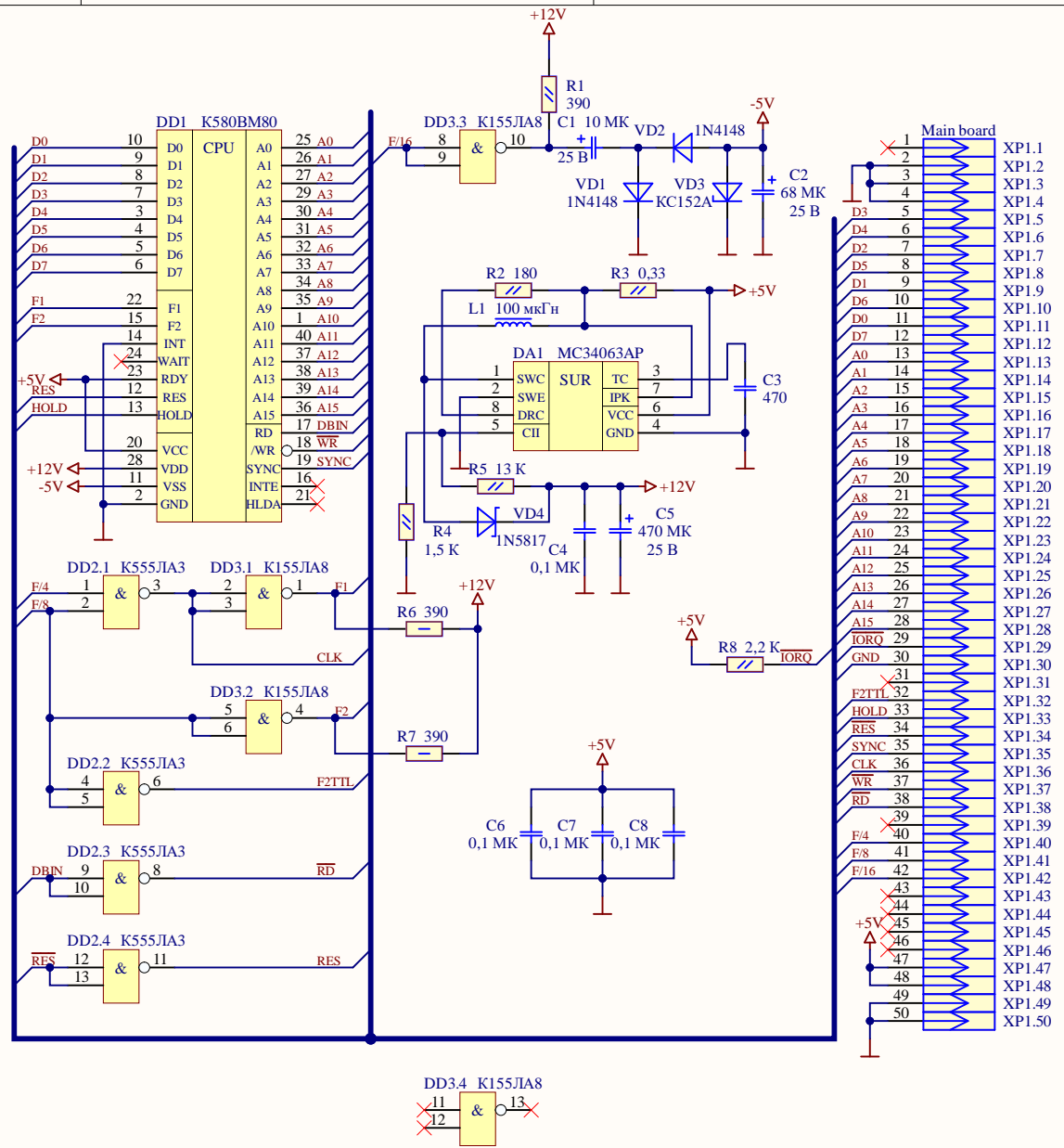
2017 www.специалист-пк.рф

XP6	XP2	XP1	Resolution	XP6	XP2	XP1	Resolution
1/2	2/3	2/3	384x256	1/2	1/2	2/3	384x256
1/2	2/3	1/2	384x256	-	1/2	2/3	512x256
-	2/3	1/2	480x256				

Сябр v2.6

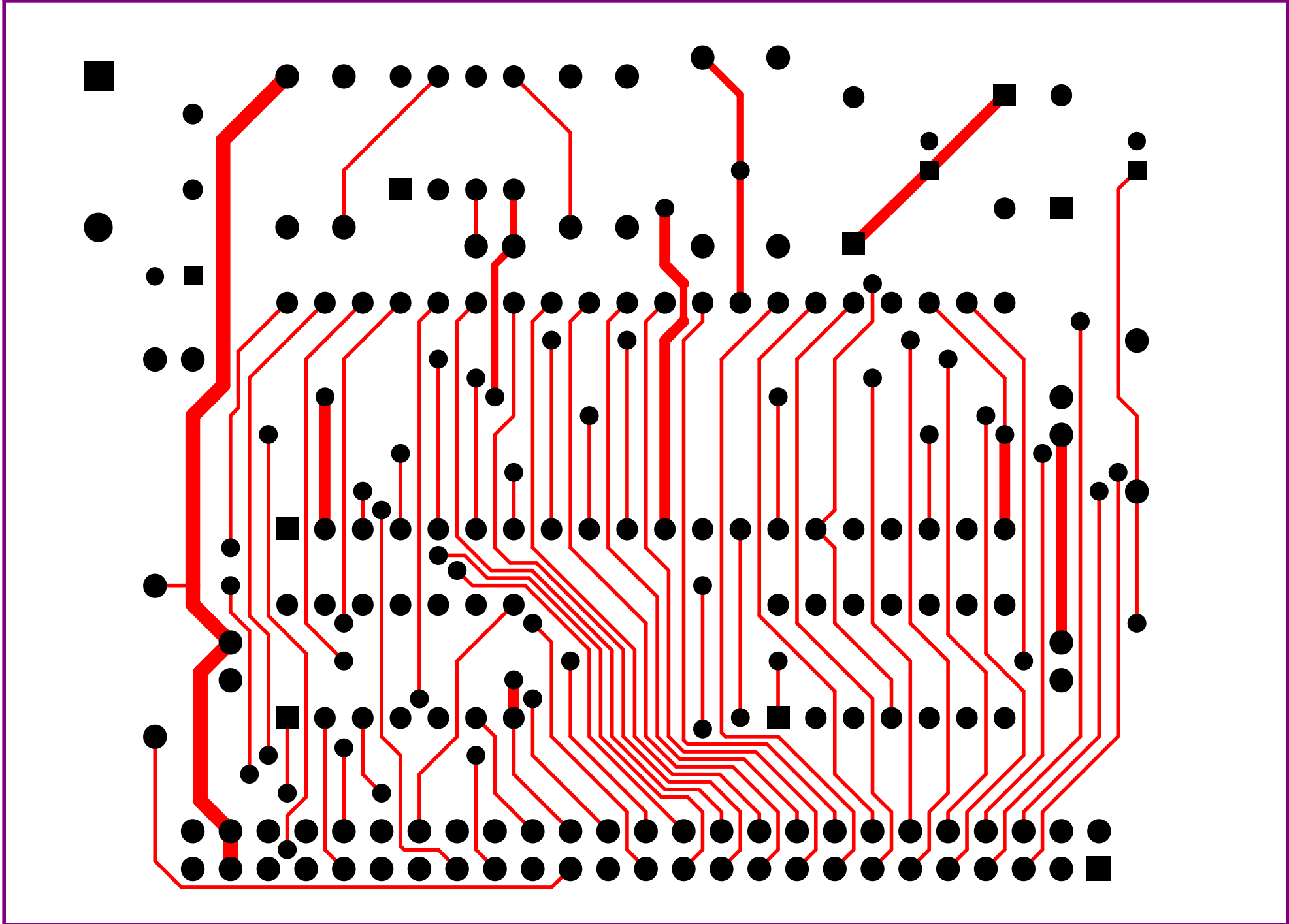
Extended

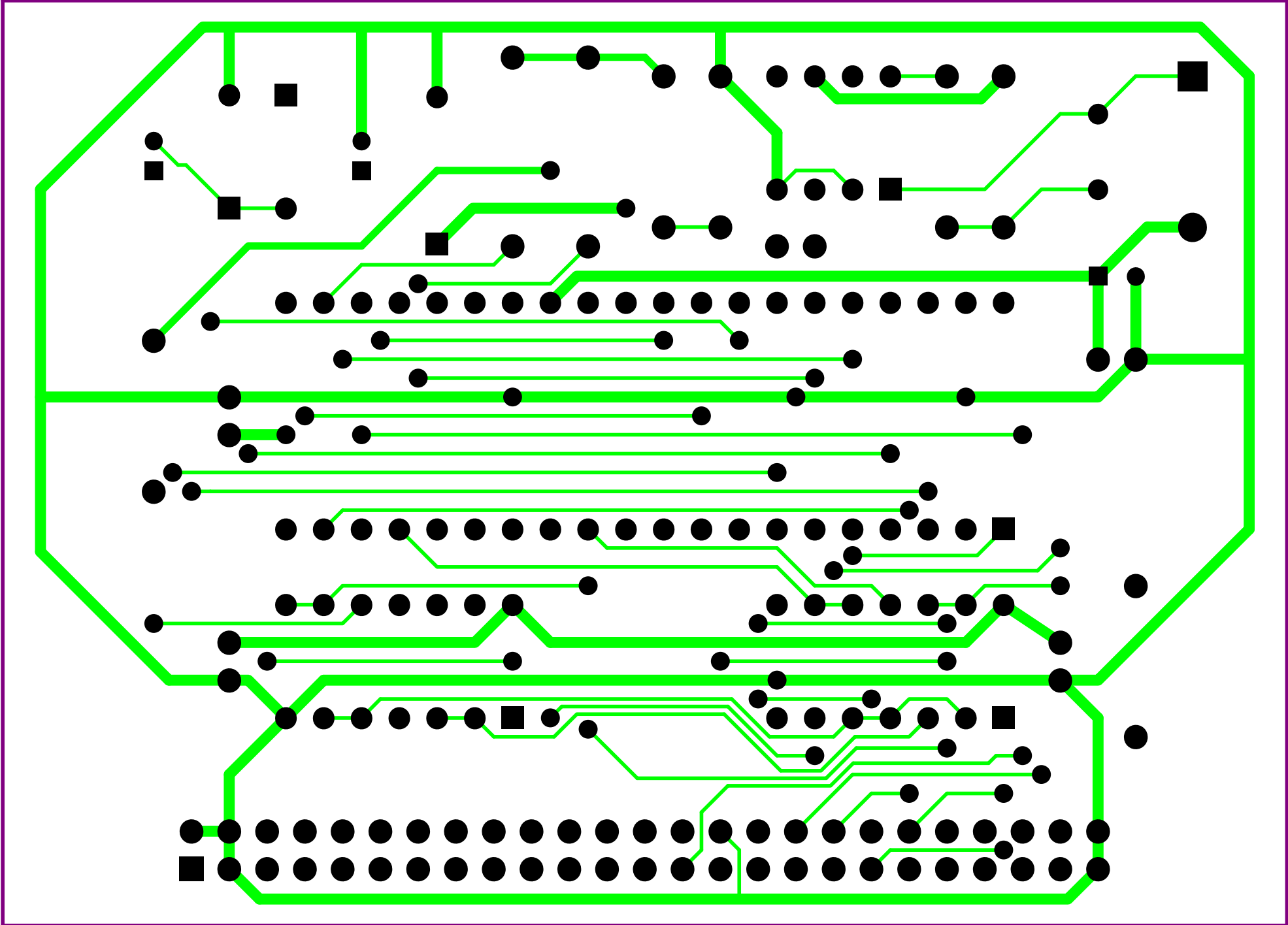
Resolution



Title Сябр V2.6. Микропроцессор 8080.			Autor: SYR-ALEX	
Size: A4	Number:*	Revision:3		
Date: 10.12.2023	Time: 11:08:01	Sheet 1 of 1		
File: C:\Users\Vitaly\Documents\Altium\AD22\Projects\CPU_8080\Sheet1.SchDoc				

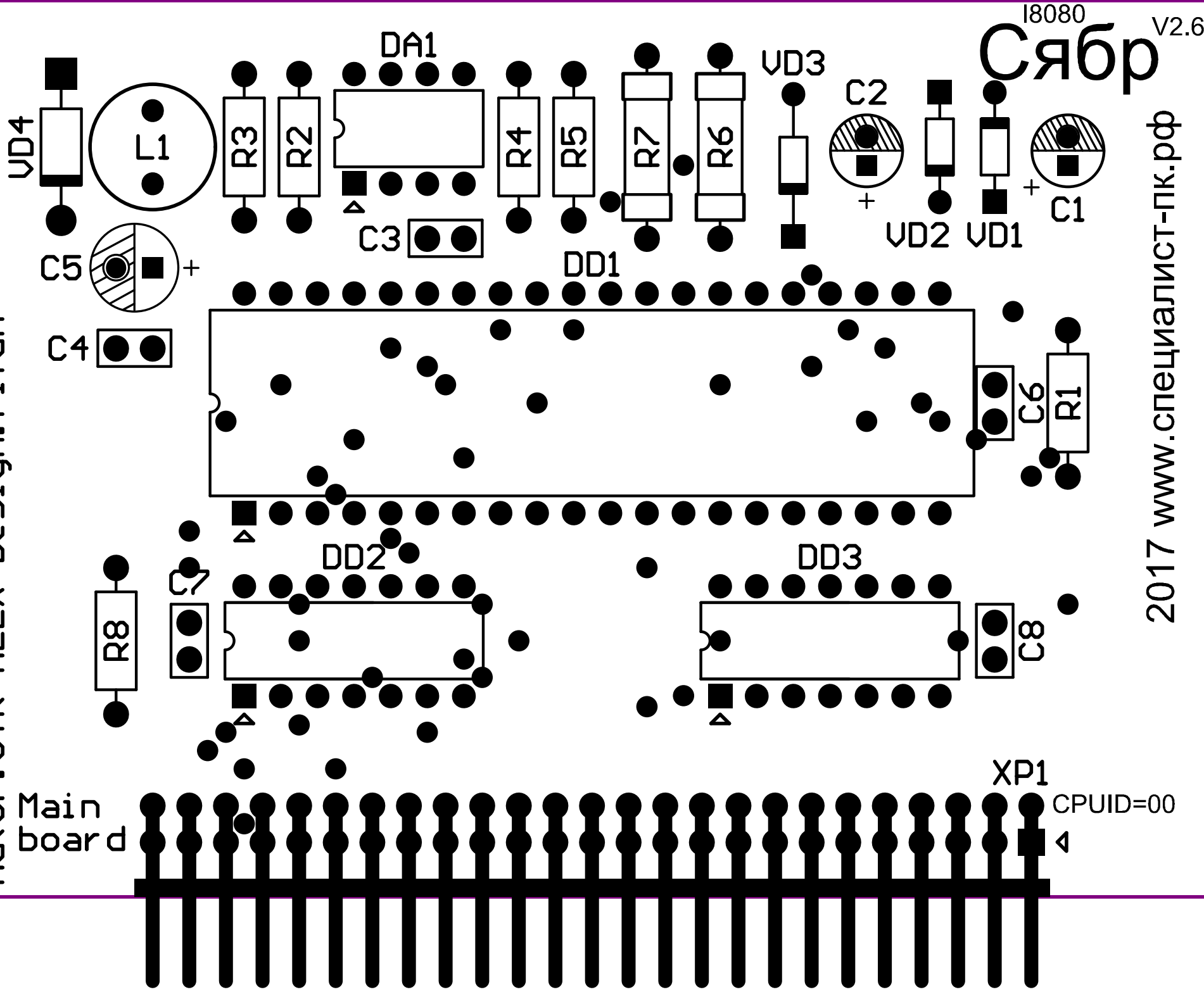






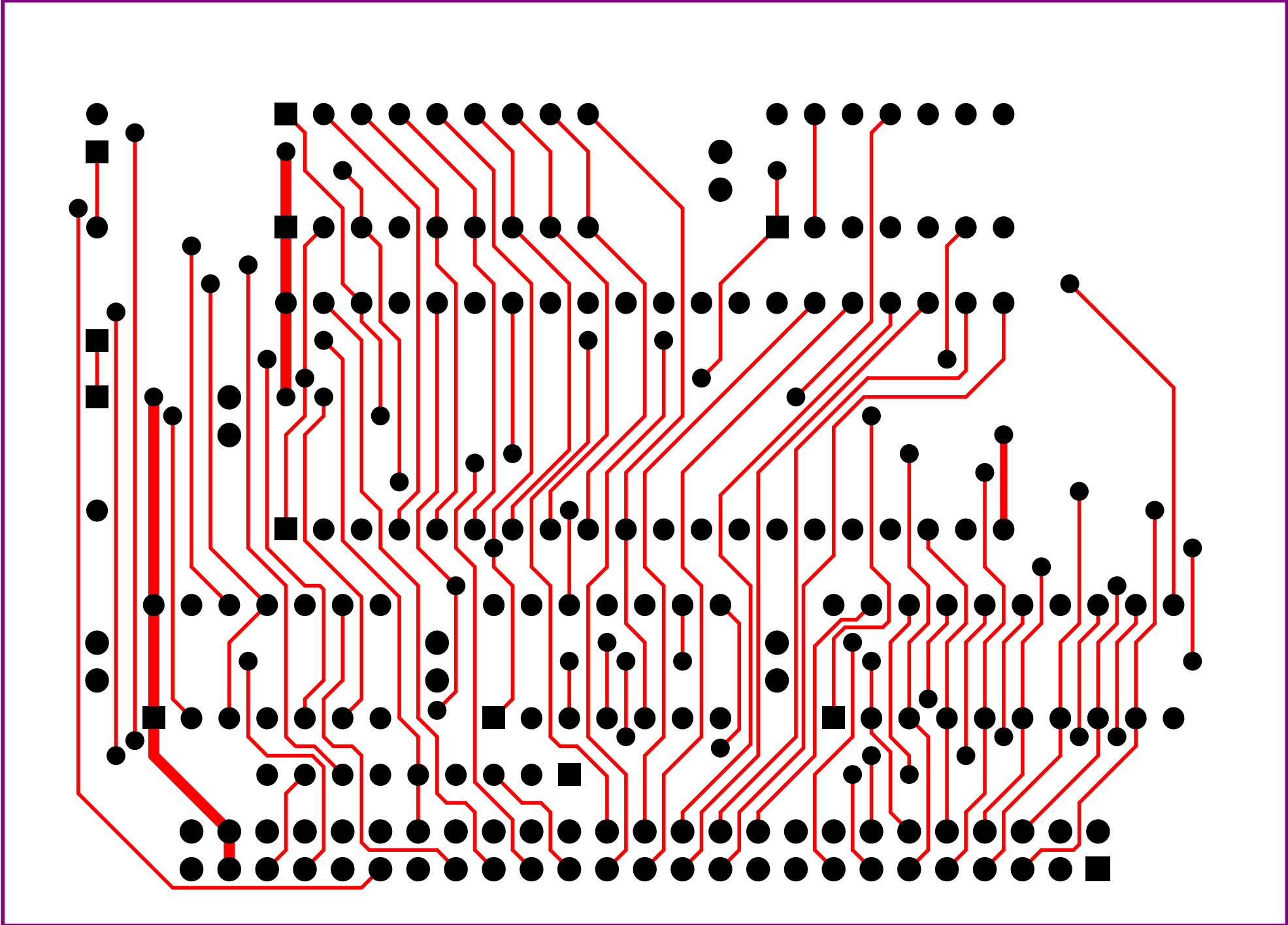
Autor: SYR-ALEX Design: Fifan

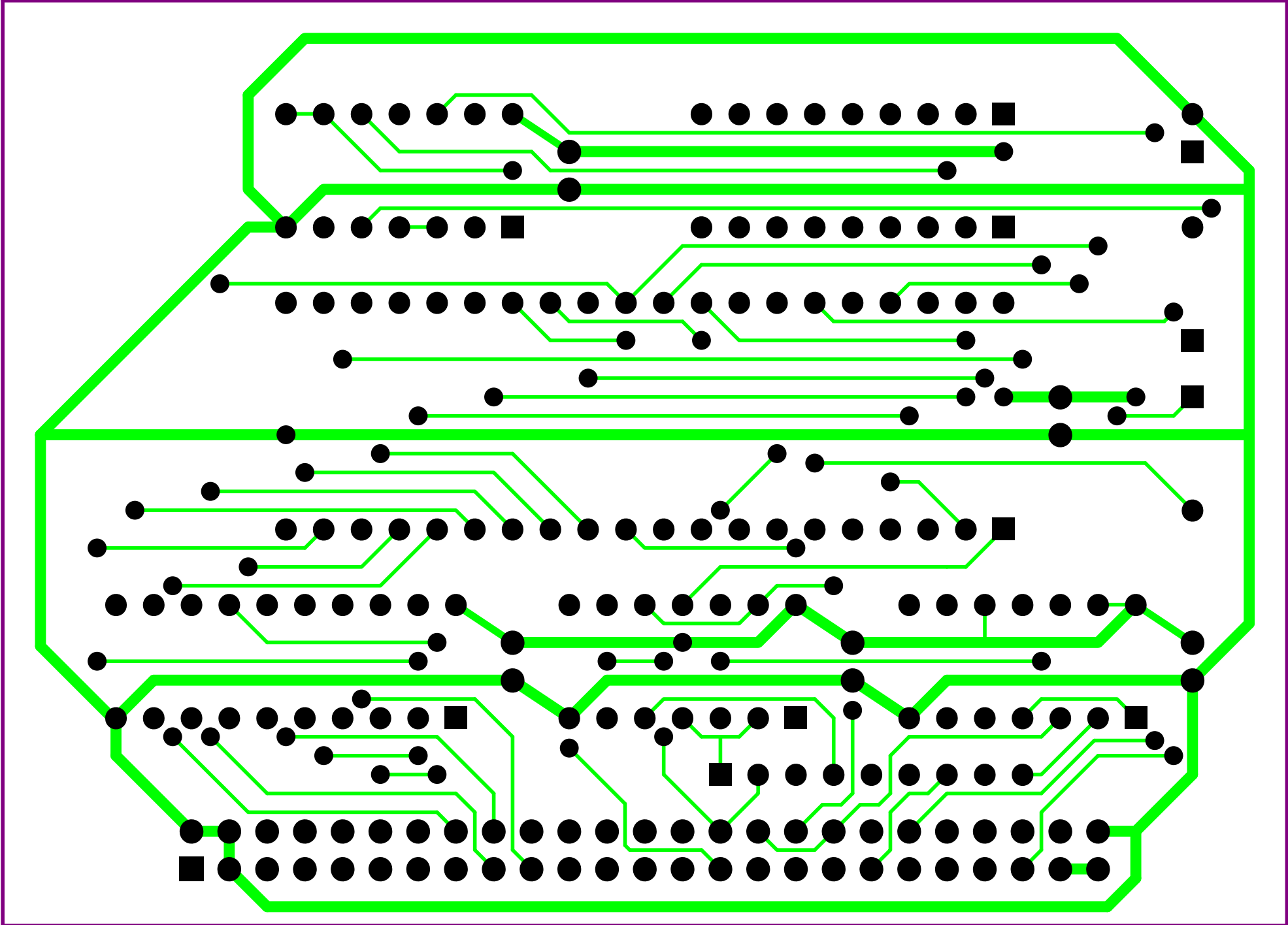
Main board



И8080
Сябр V2.6

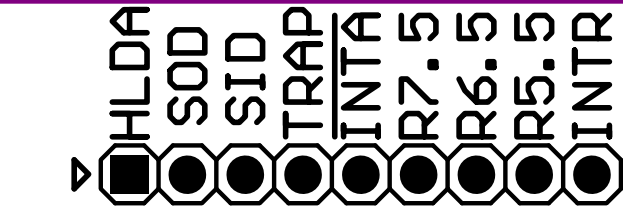
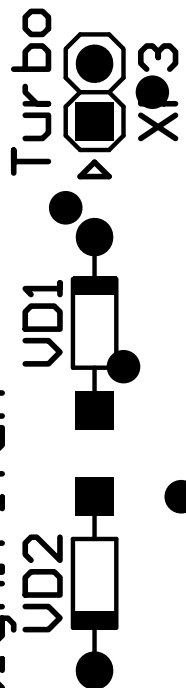
2017 www.специалист-пк.рф



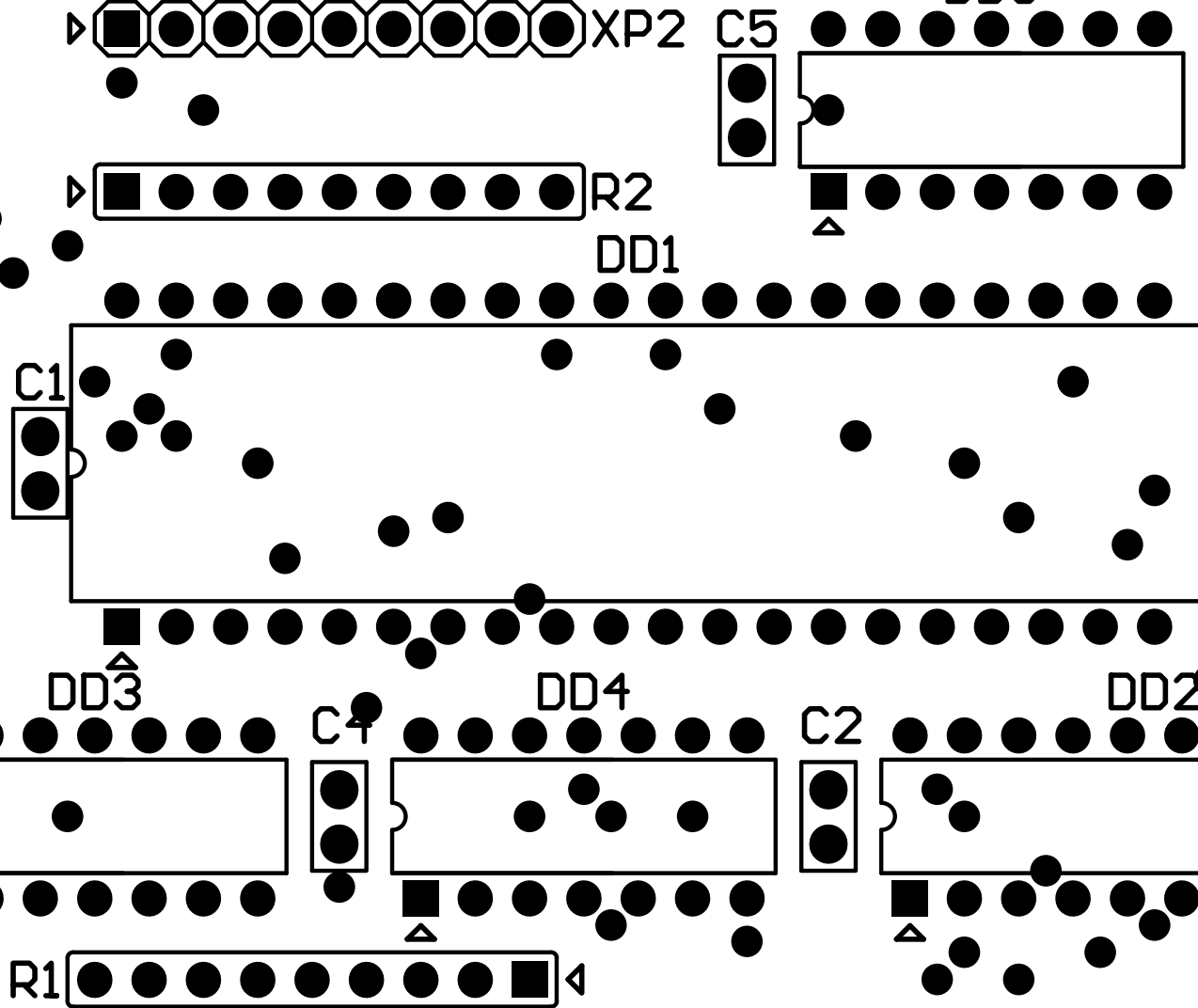


Autor: SYR-ALEX Design: Fifan

Main board

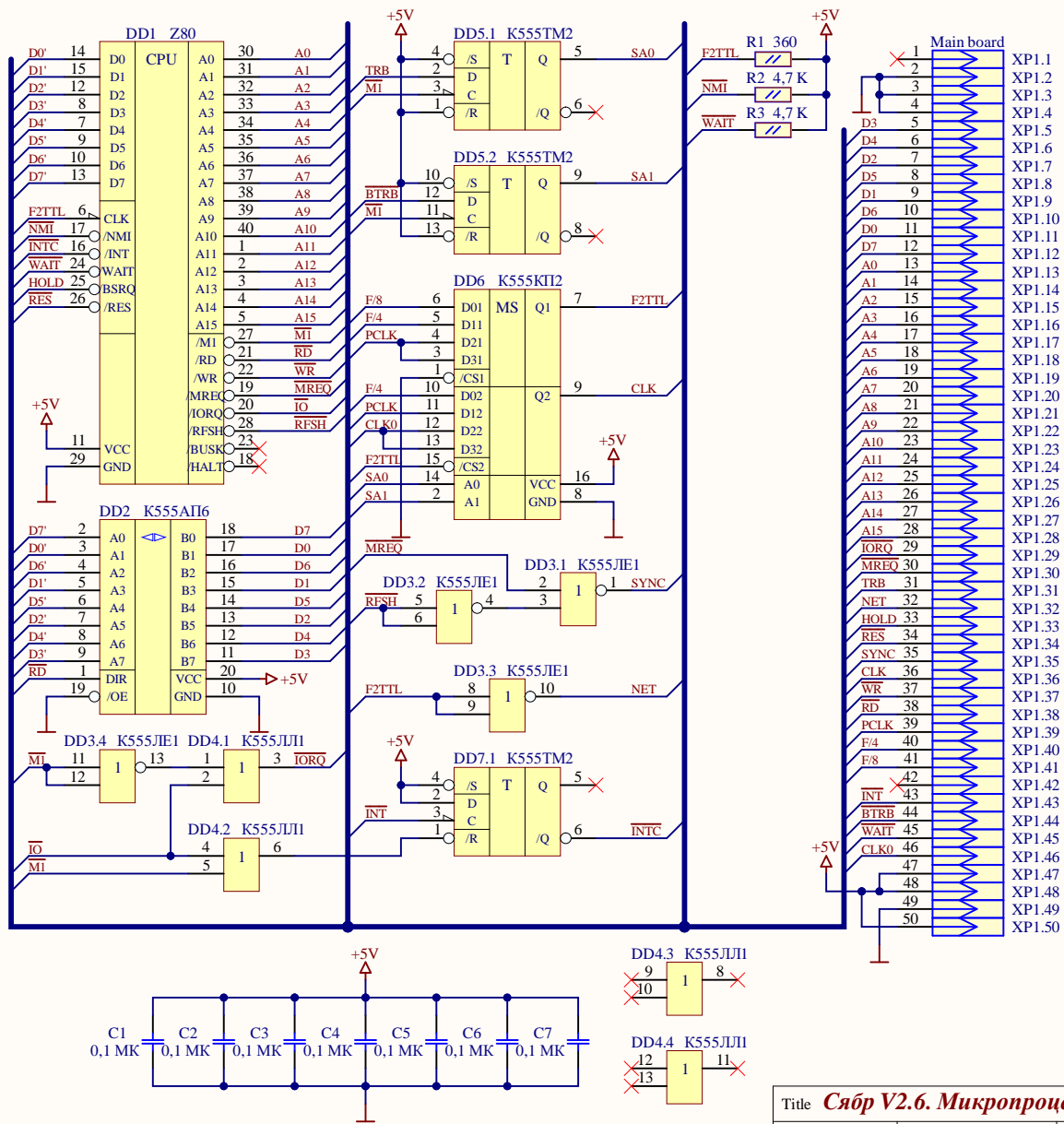


18085
Сябр V2.6



CPUID=10

2017 www.специалист-пк.рф



Title **Сябр V2.6. Микропроцессор Z80.**

Autor: SYR-ALEX

Size: A4

Number:4

Revision:3

Drawn by: Fiban

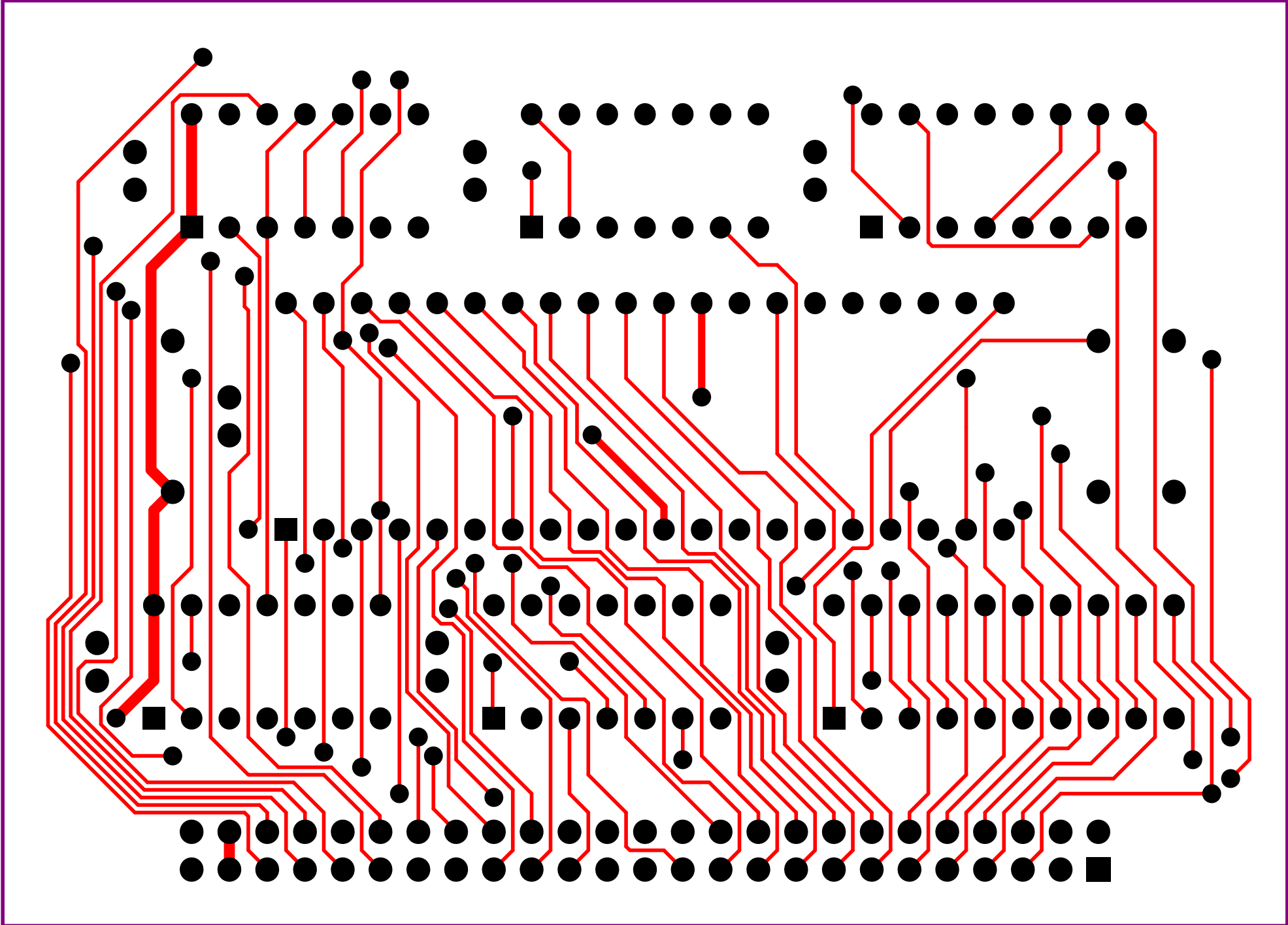
Date: 10.12.2023

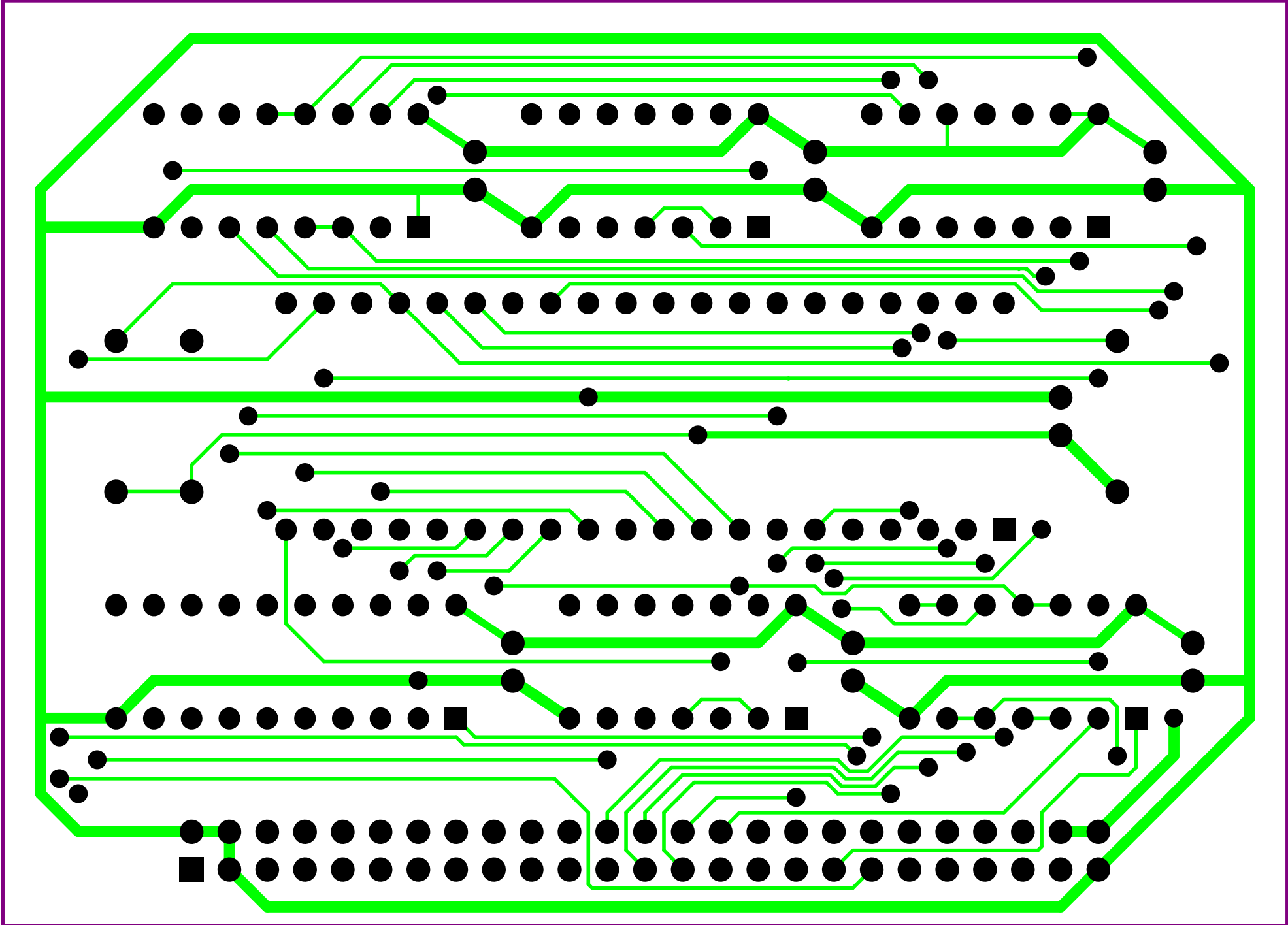
Time: 15:45:26

Sheet 1 of 1

File: C:\Users\Vitaly\Documents\Altium\AD22\Projects\CPU_Z80\Sheet1.SchDoc





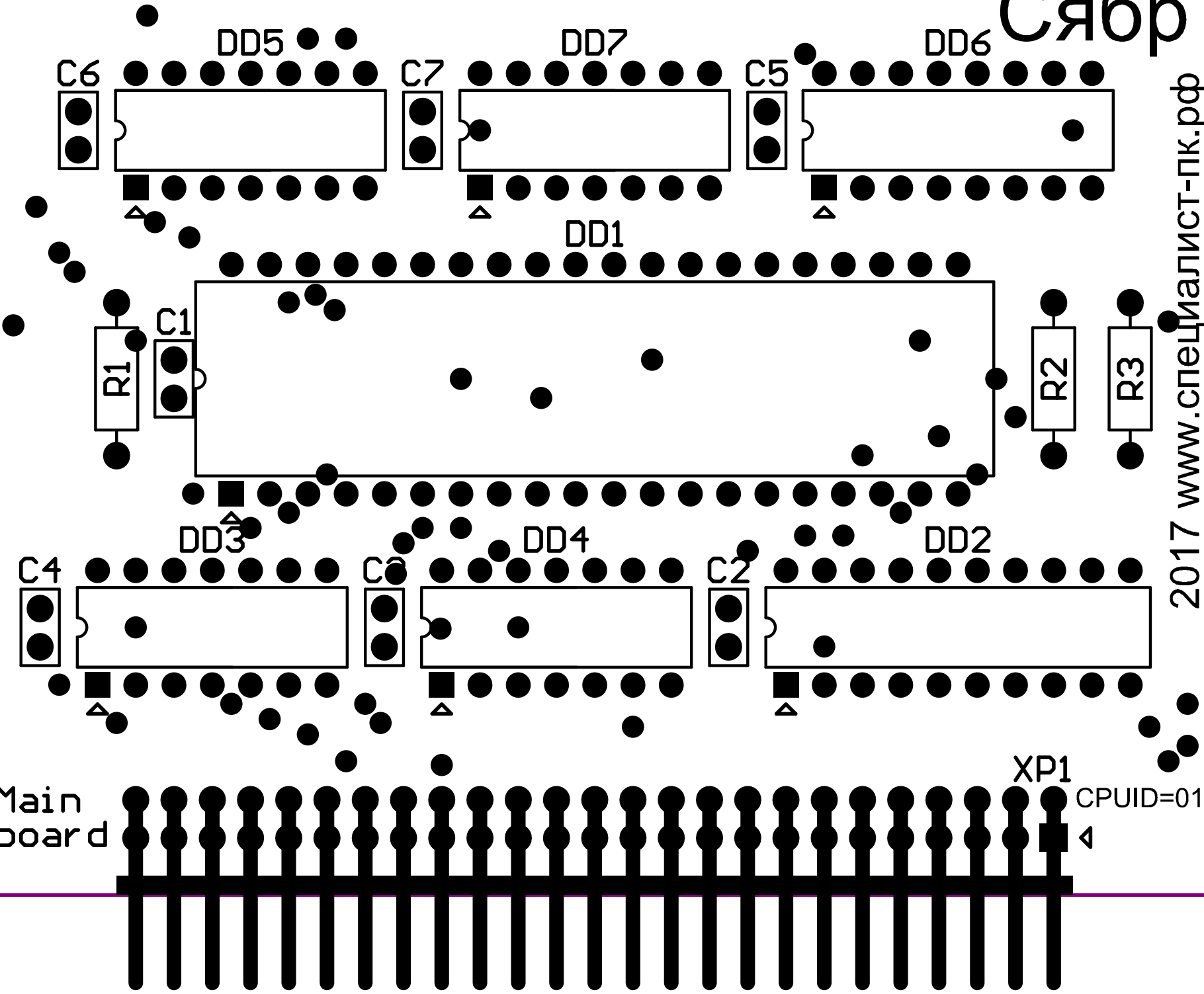


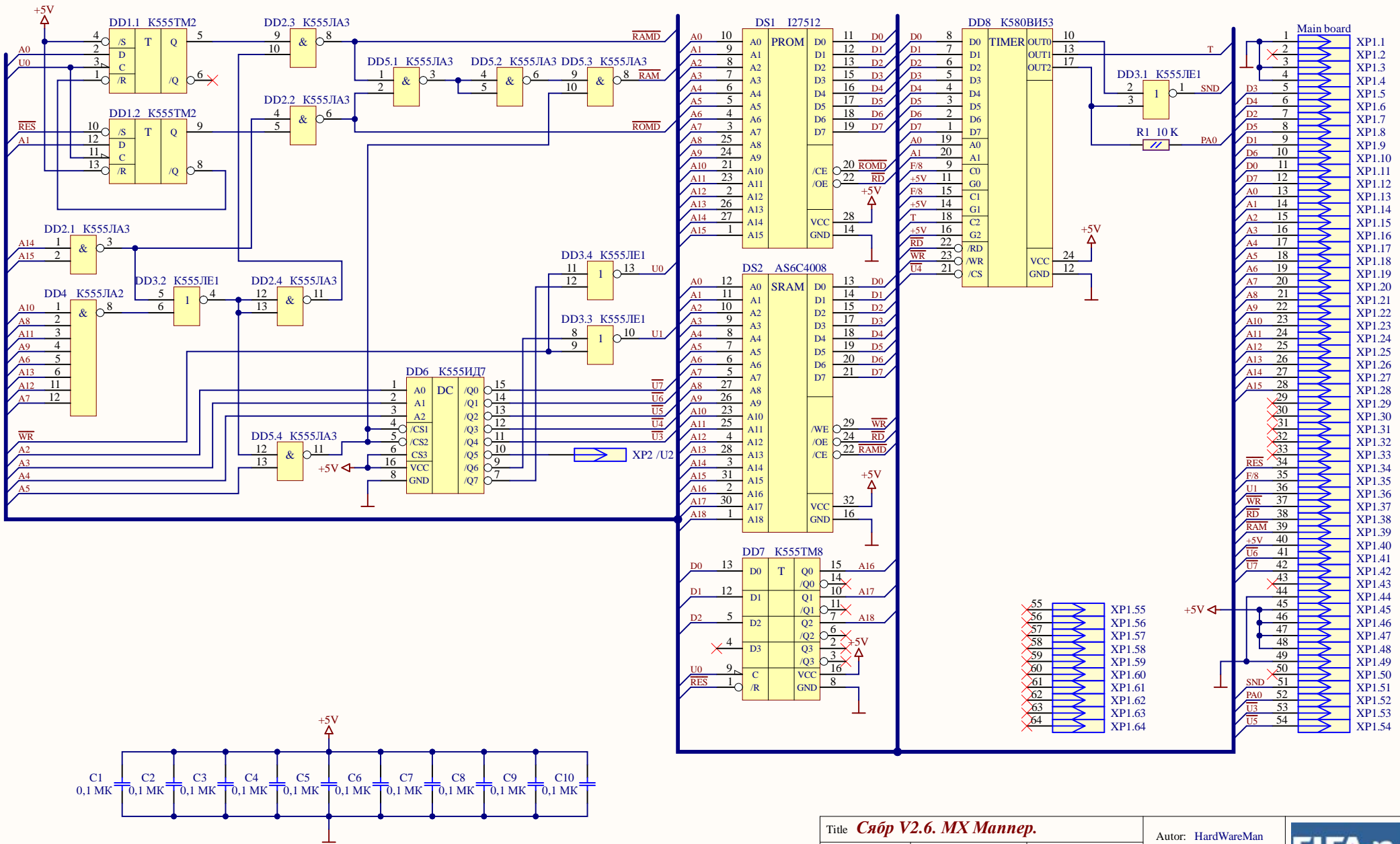
Сябр


2017 www.специалист-пк.рф

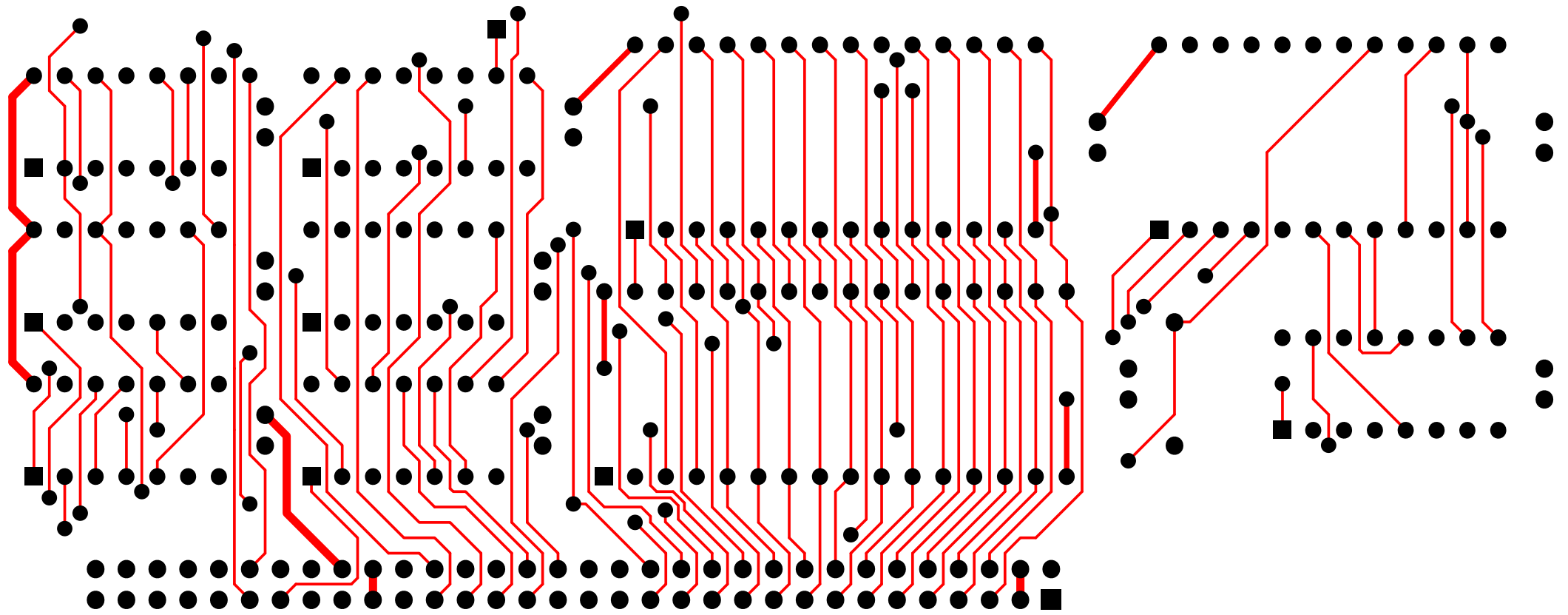
Autor: SYR-ALEX Design: Fifan

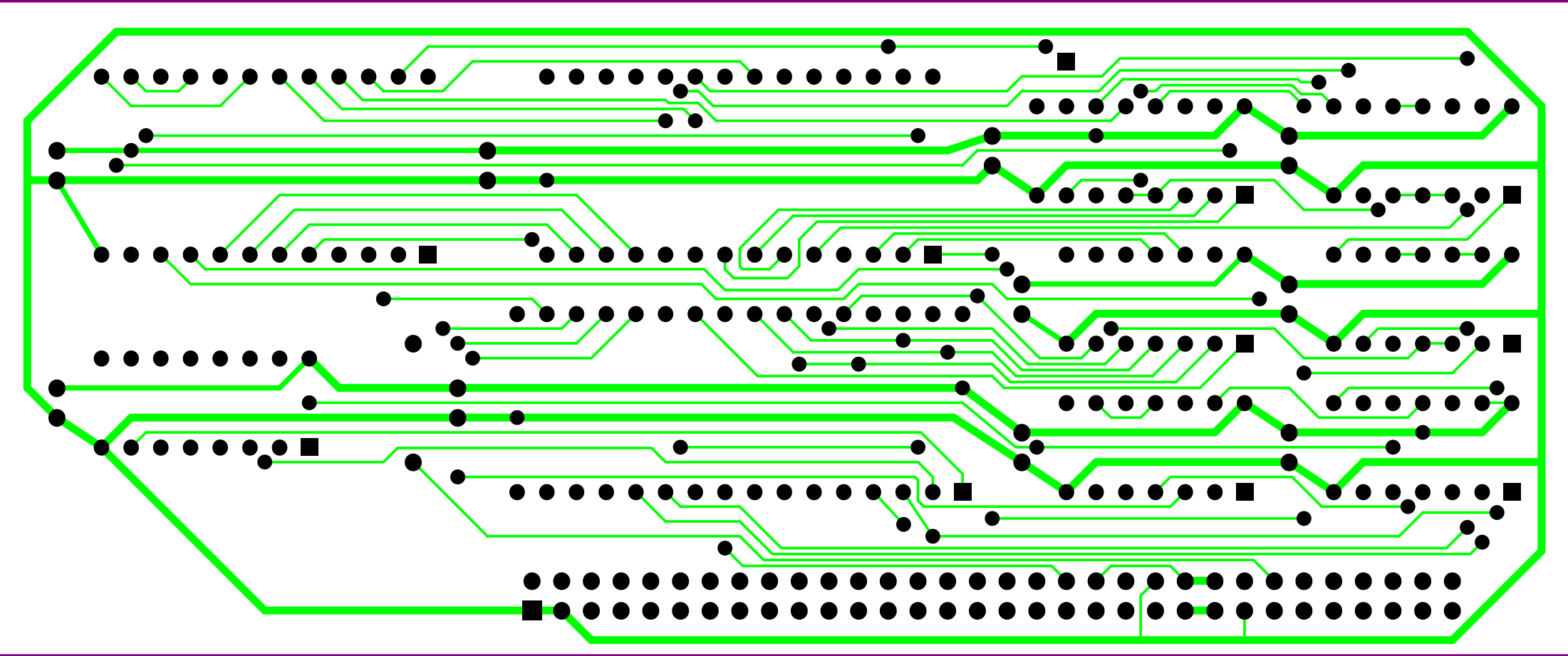
Main board



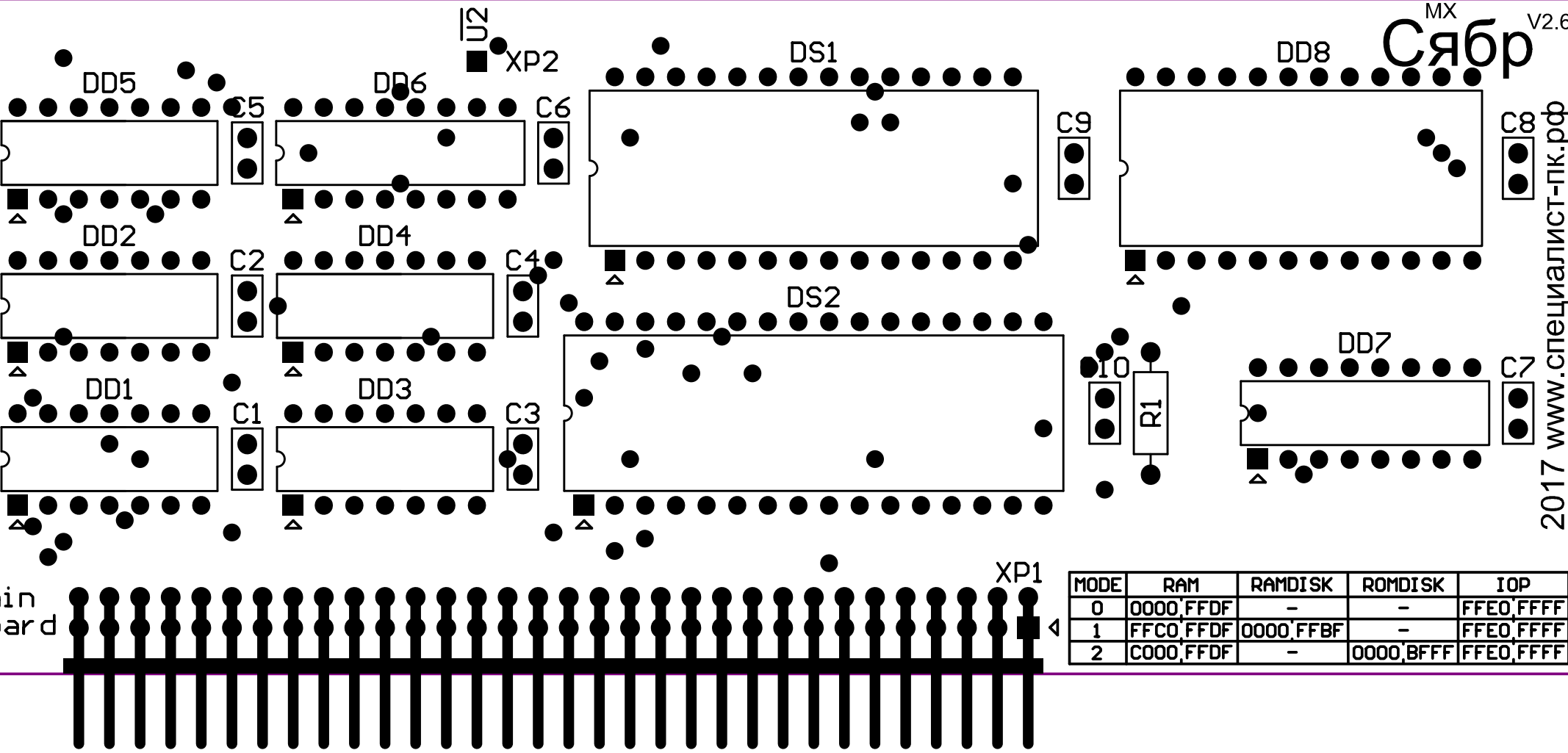


Title Схѳ V2.6. MX Mapper.			Autor: HardWareMan	
Size: A4	Number: 4	Revision: 3	Drawn by: Fifan	
Date: 11.01.2025	Time: 16:52:52	Sheet 1 of 1		
File: C:\Users\Vitaly\Documents\Altium\AD22\Projects\Mapper_MX\Sheet1.SchDoc				





Main board



MODE	RAM	RAMDISK	ROMDISK	IOP
0	0000,FFDF	-	-	FFE0,FFFF
1	FFC0,FFDF	0000,FFBF	-	FFE0,FFFF
2	C000,FFDF	-	0000,BFFF	FFE0,FFFF

Сябр V2.6 MX

A

A

B

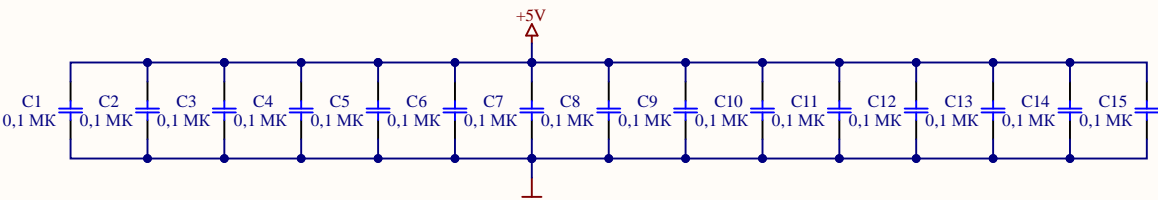
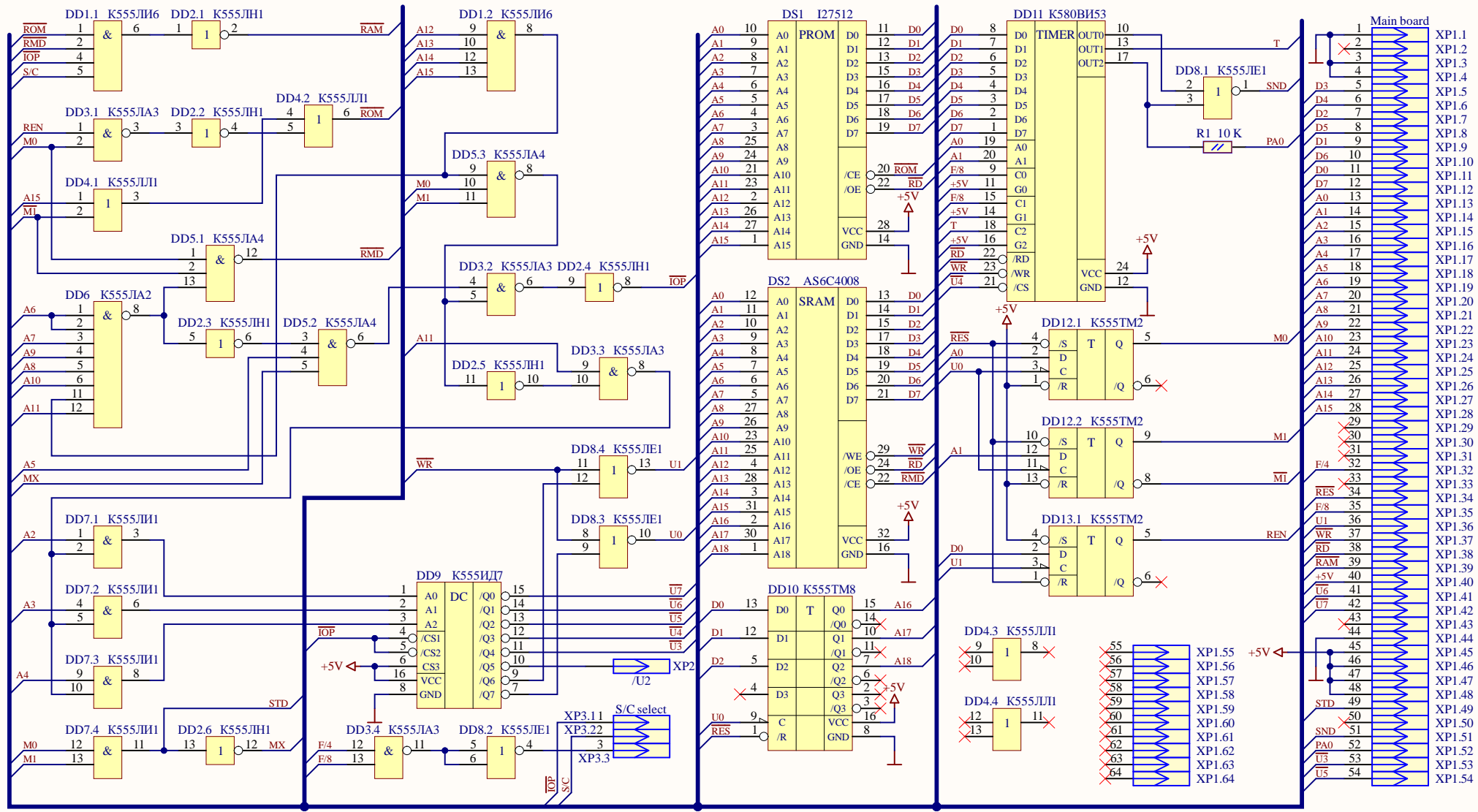
B

C

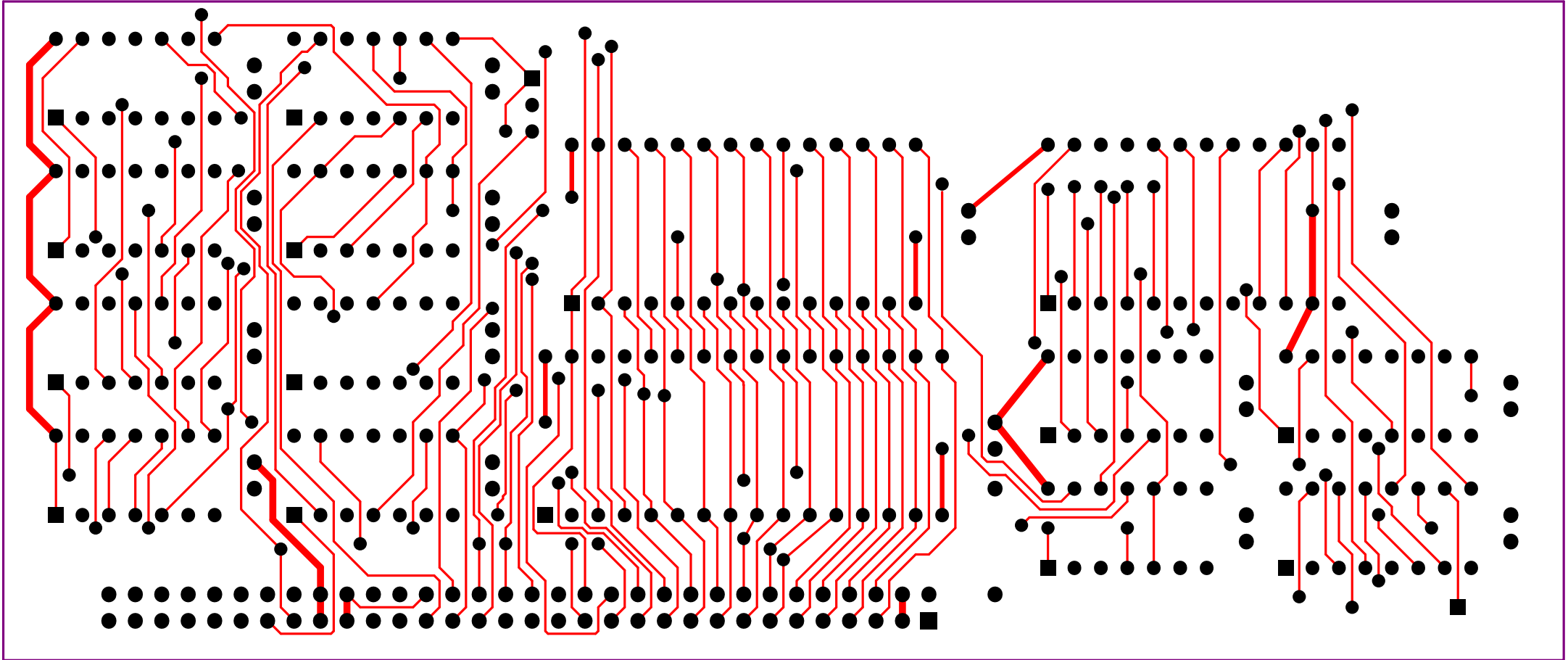
C

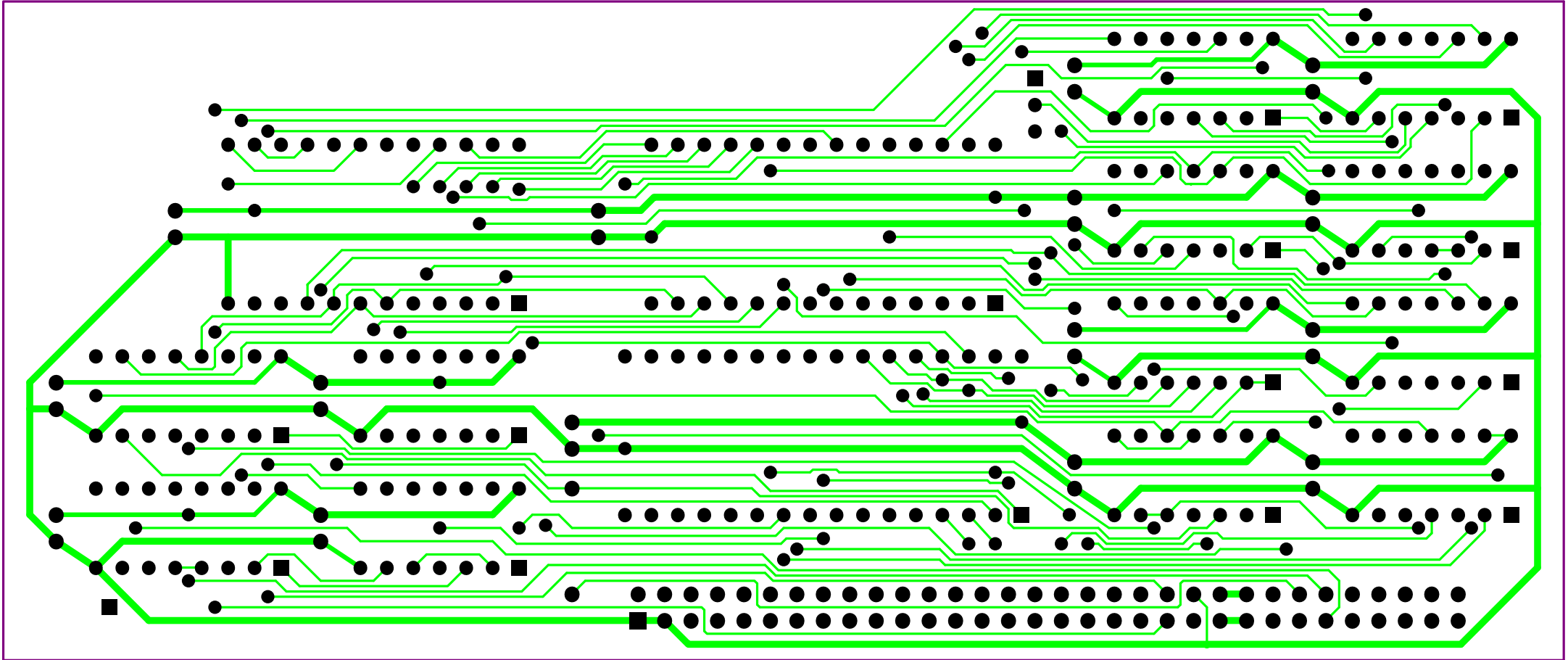
D

D



Title: Сябр V2.6. MX2 Маннер.			Autor: HardWareMan	
Size: A4	Number: 4	Revision: 3	Drawn by: Fifan	
Date: 11.01.2025	Time: 16:46:01	Sheet 1 of 1		
File: C:\Users\Vitaly\Documents\Altium\AD22\Projects\Mapper_MX2\Sheet1.SchDoc				





Autor: HardwareMan Design: Fifan

Main board

DD1

DD2

C1

C2

XP3

SC Select Off

DS1

MODE	RAM	RAMDISK	ROMDISK	IOP
0	0000,FFDF	-	-	FFE0,FFFF
1	FFC0,FFDF	0000,FFBF	-	FFE0,FFFF
2	C000,FFDF	-	0000,BFFF	FFE0,FFFF
3	8000,EFFF	-	0000,7FFF	F000,FFFF

MX² V2.6
Сябр

DD4

C4

DD5

C5

C14

DS2

DD11

C11

DD3

C3

DD6

C6

DD13

C13

DD10

C10

DD12

C12

DD8

C8

C15

R1

DD7

C7

DD9

C9

XP1

XP2

U2

2017 www.специалист-пк.рф