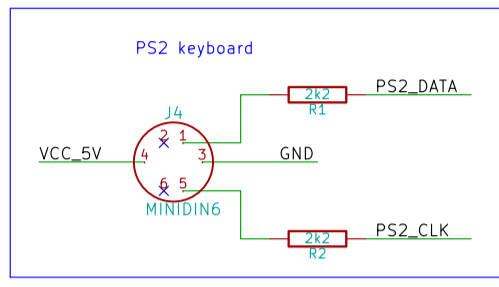
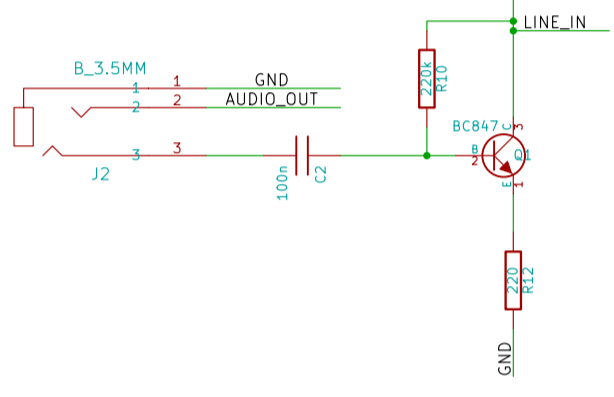


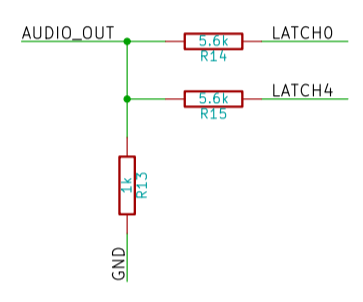
VCC\_5VD VCC\_5V



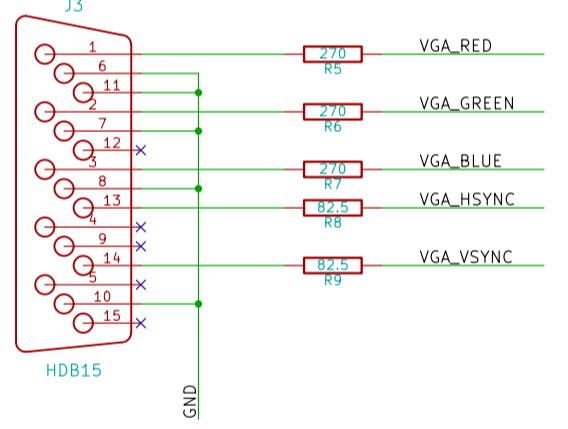
AUDIO IN interface



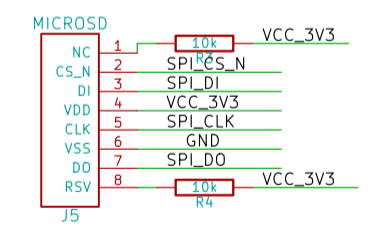
AUDIO OUT interface



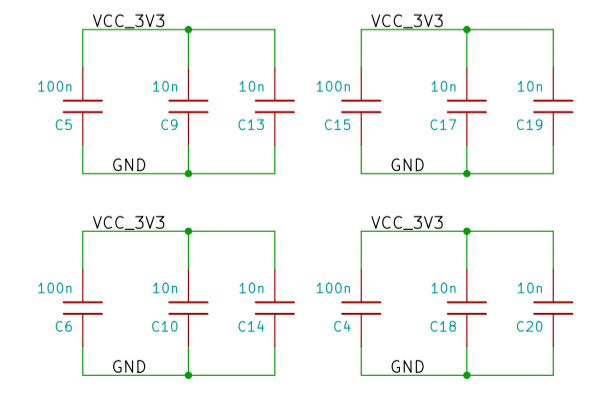
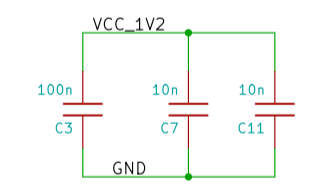
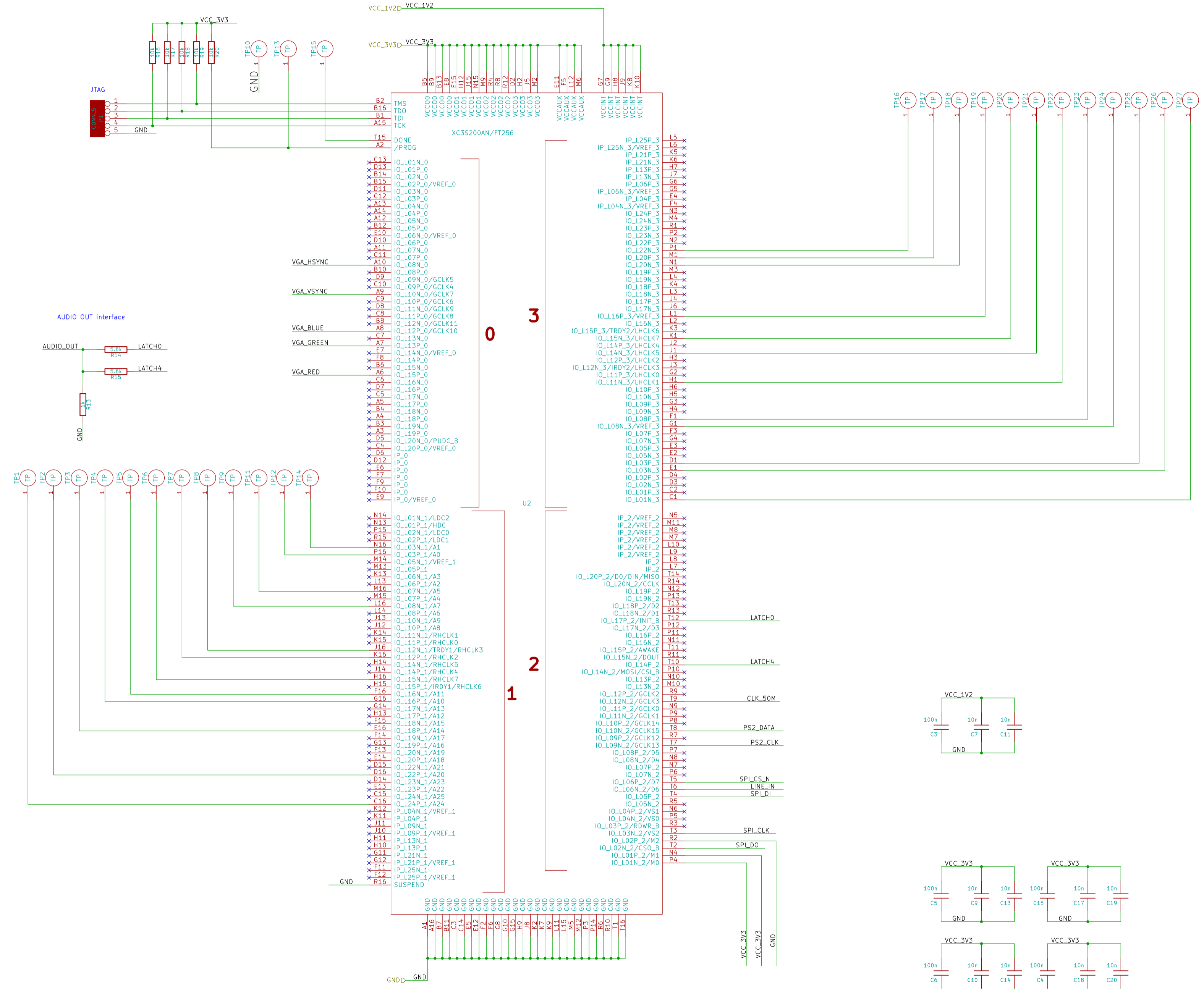
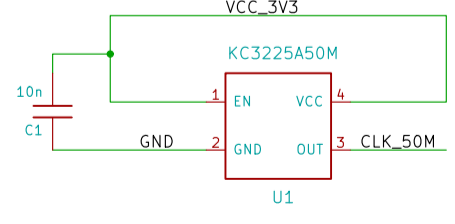
VGA output

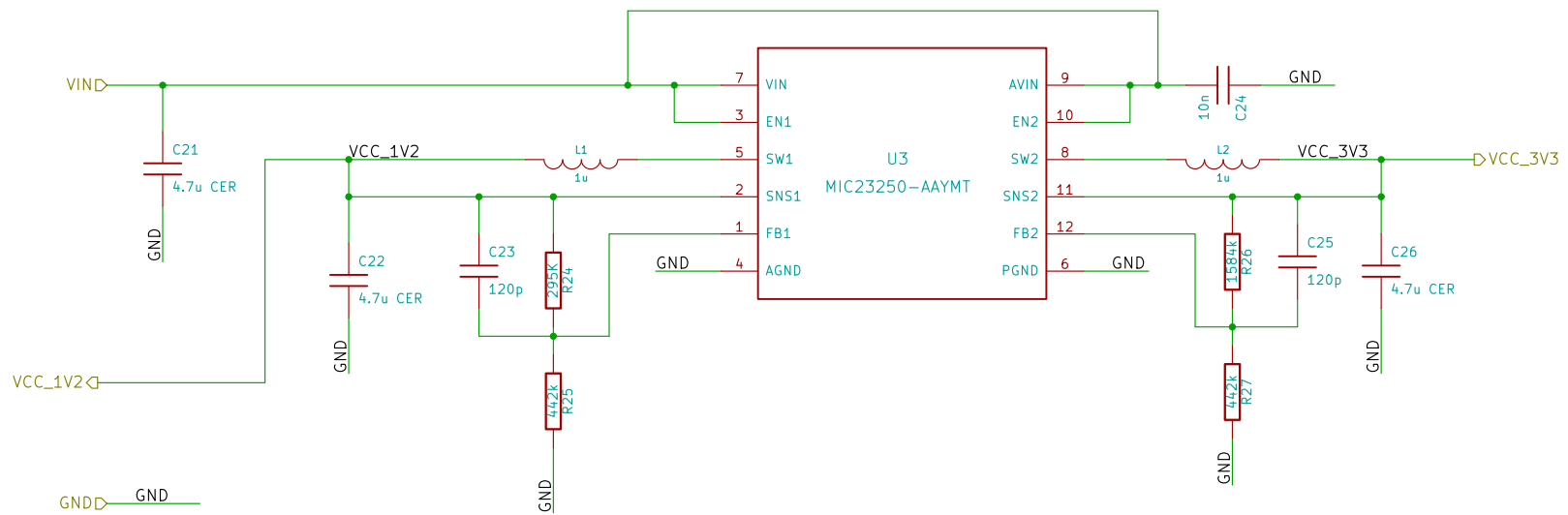


MicroSD slot

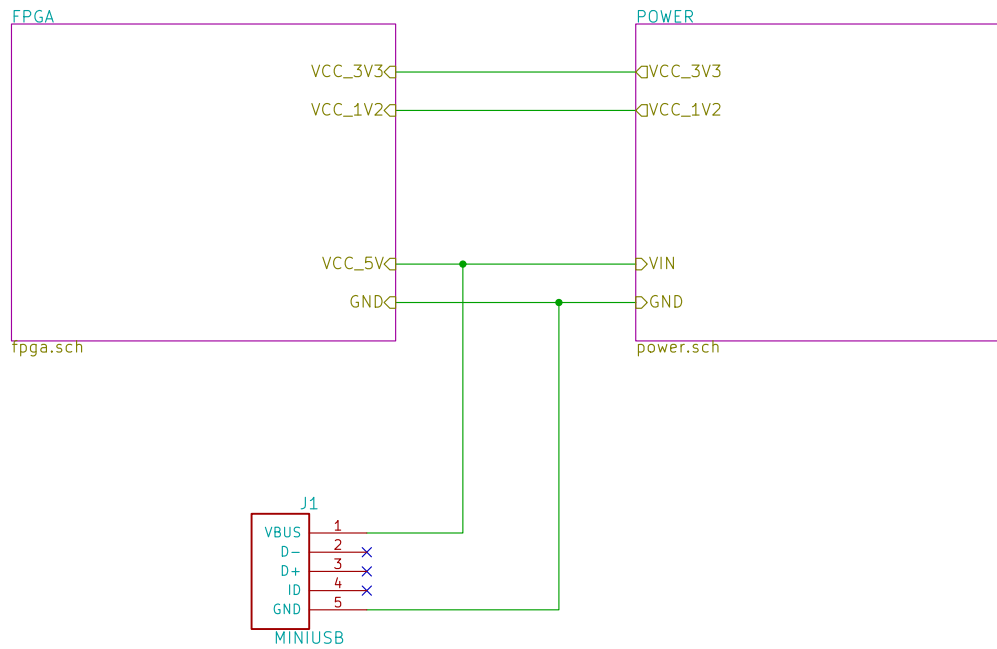


50M Oscillator





File: power.sch	
Sheet: /POWER/	
<b>Title: Power supply</b>	
Size: A4	Date: 15 feb 2010
KiCad E.D.A.	Rev: V1.00
	Id: 2/3



File: galaksija_v1.sch	
Sheet: /	
<b>Title: Top level</b>	
Size: A4	Date: 15 feb 2010
KiCad E.D.A.	Rev: V1.00
	Id: 1/3